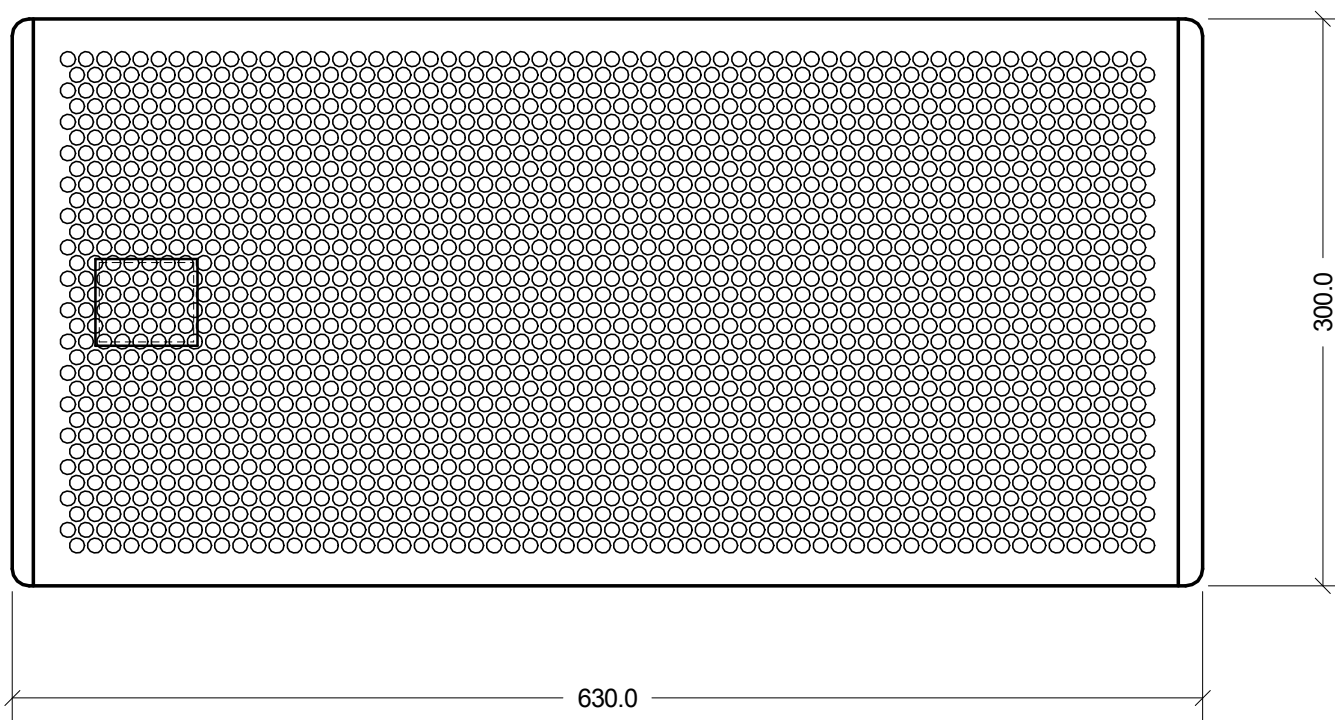
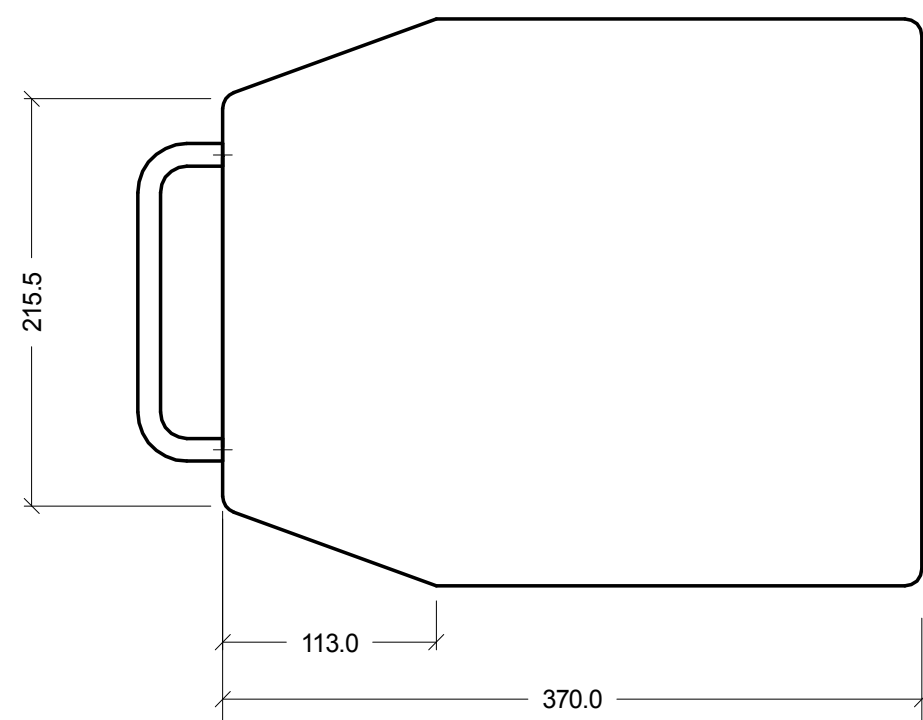


1 2 3 4 5 6 7 8

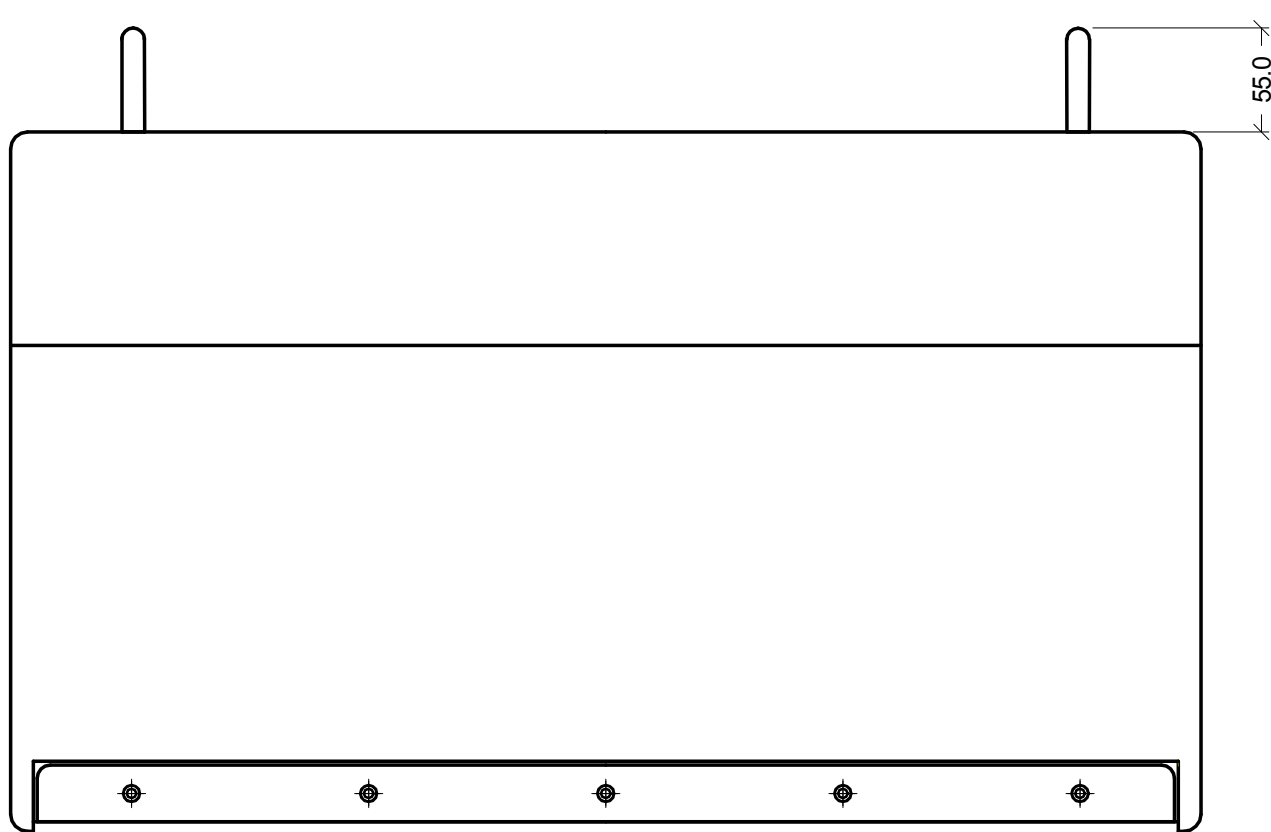
A
B
C
D
E
F



ELEVATION



END ELEVATION



PLAN

1 2 3 4 5 6 7 8

A 28.01.2022 Original Issue	acoustic technologies				
	Drawn N. Bourne	Checked	Approved	Revision A	Scale 1:4
	BLACKBIRD BB22 GENERAL ARRANGEMENT			Sheet 1 of 1	
AT-A3-908					