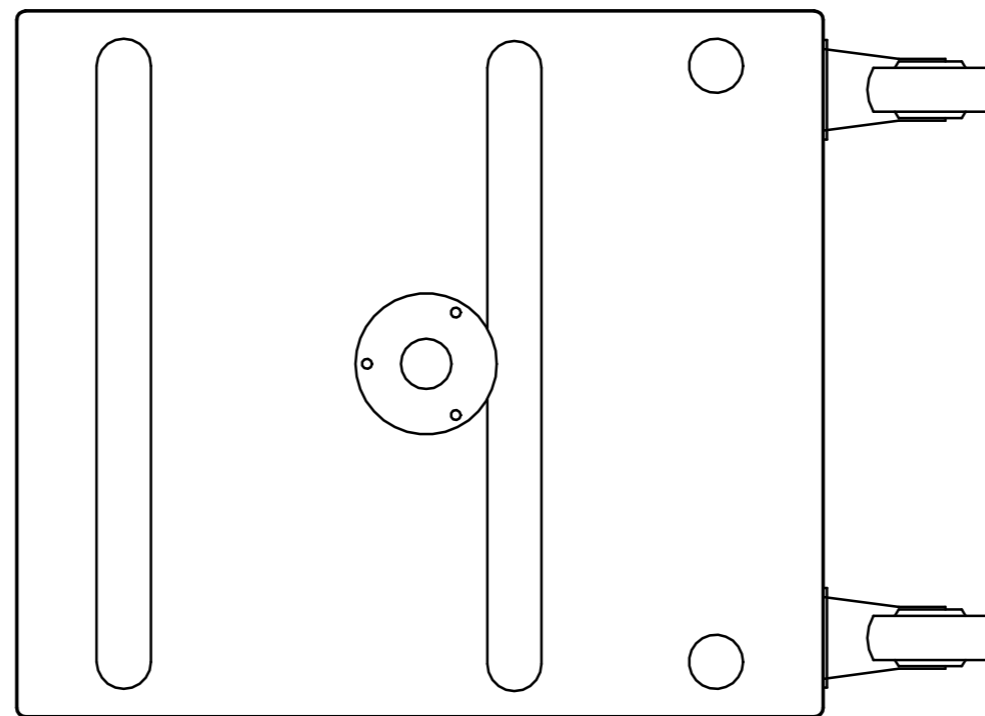
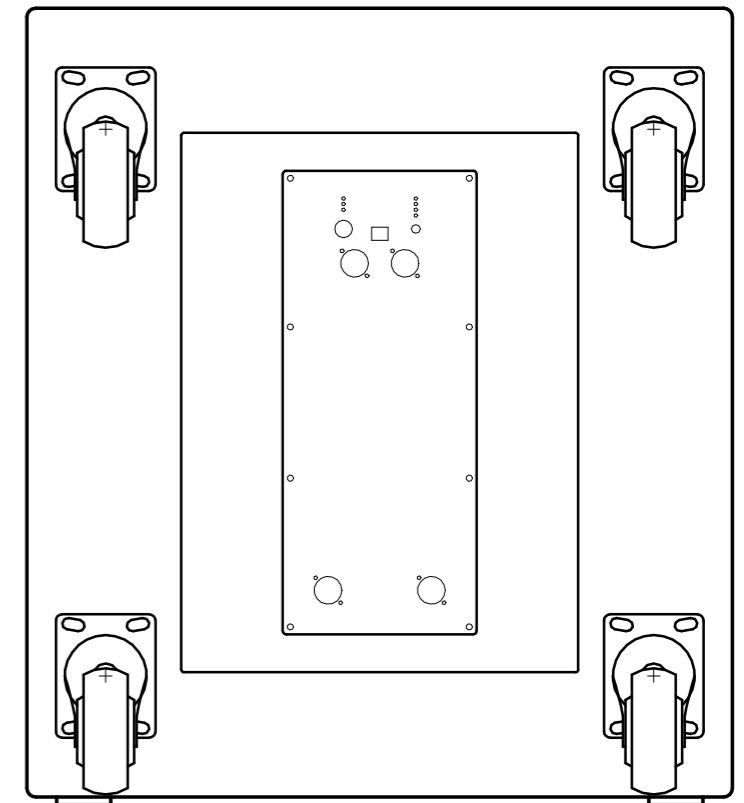
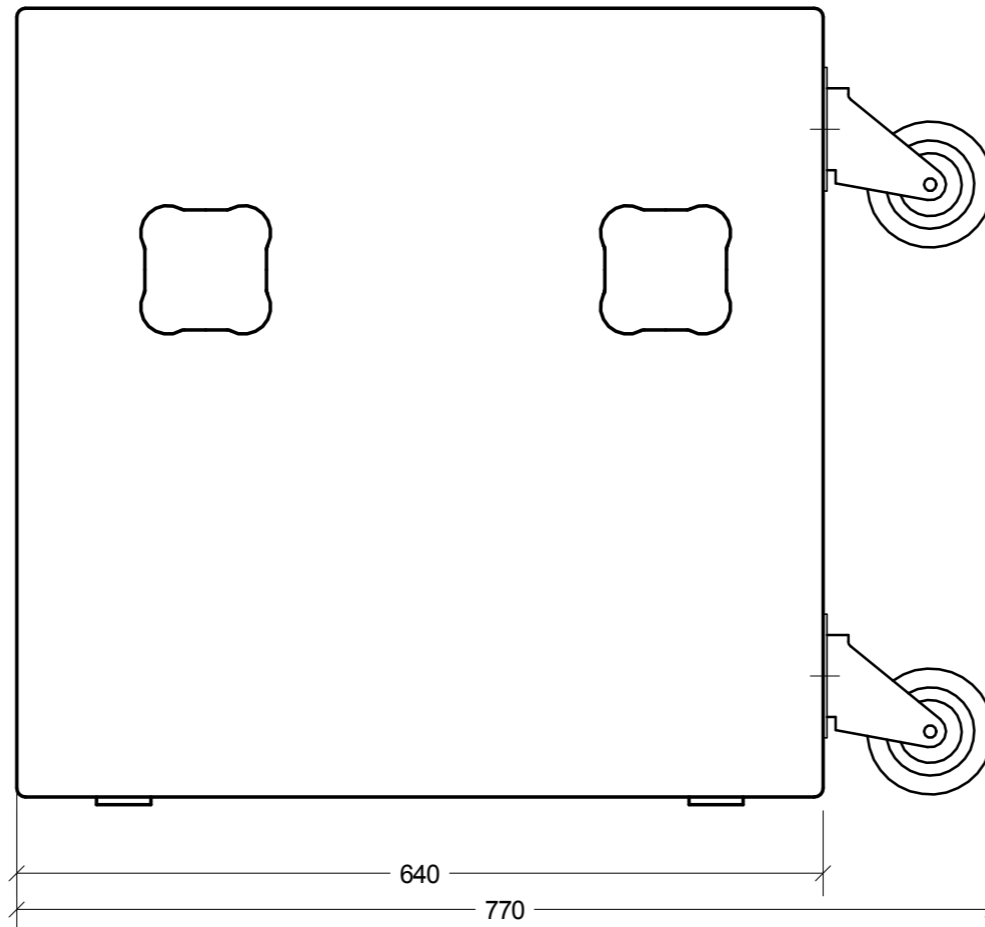
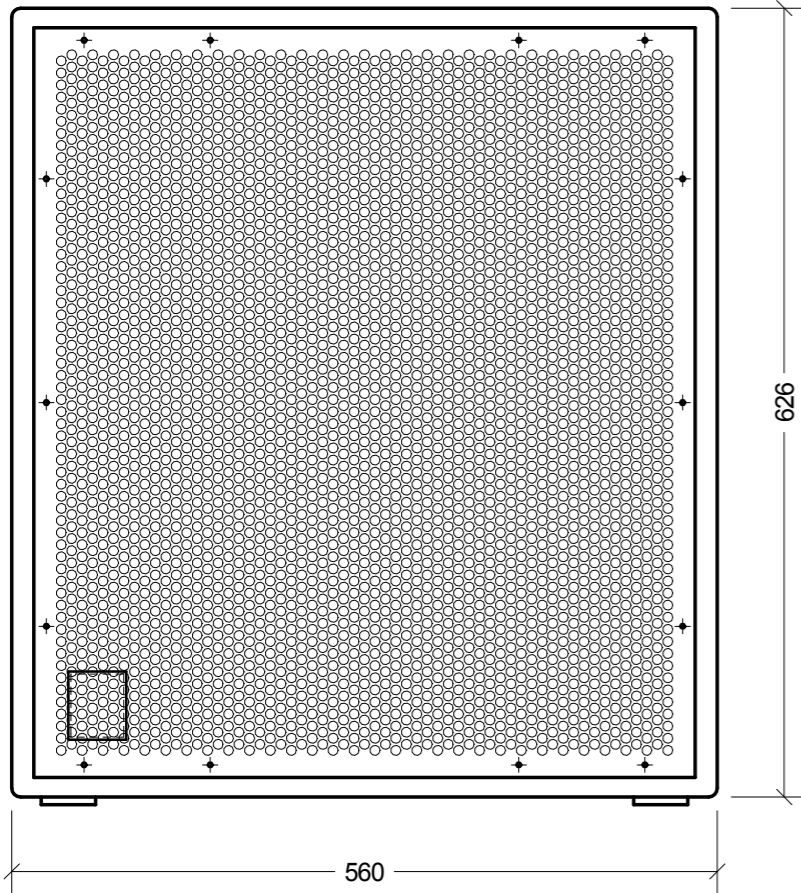


1 2 3 4 5 6 7 8

A
B
C
D
E
F

A
B
C
D
E
F



A 09.04.2019 Original Issue	acoustic technologies						
	Drawn	R. Faint	Checked	Approved	Revision	A	Scale 1:6
	CLA LF3200A+					Sheet 1 of 1	
GENERAL ARRANGEMENT					AT-A3-788		

1 2 3 4 5 6 7 8

