

1 2 3 4 5 6 7 8

A A

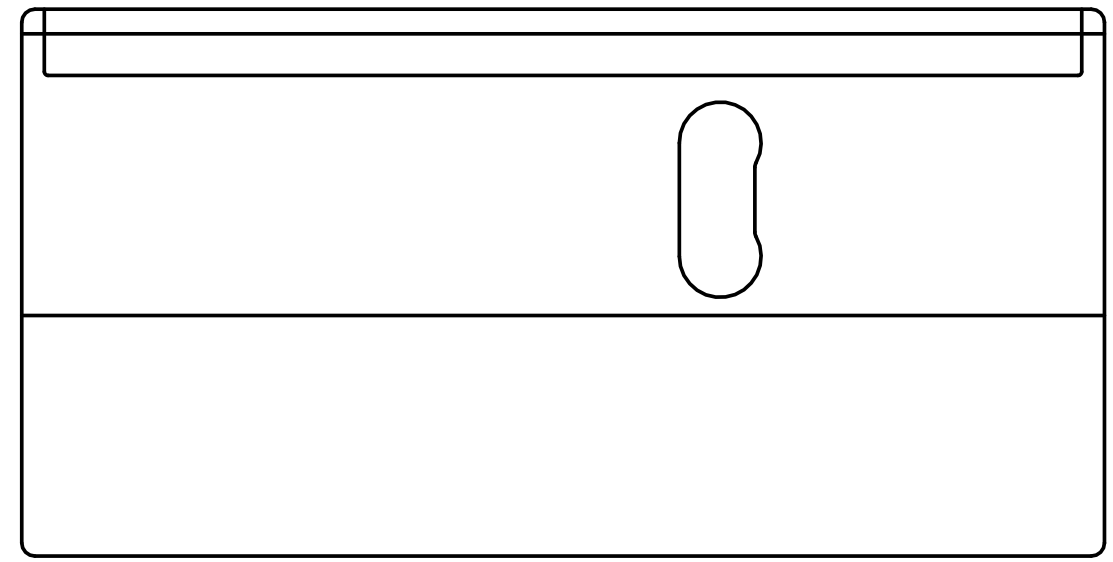
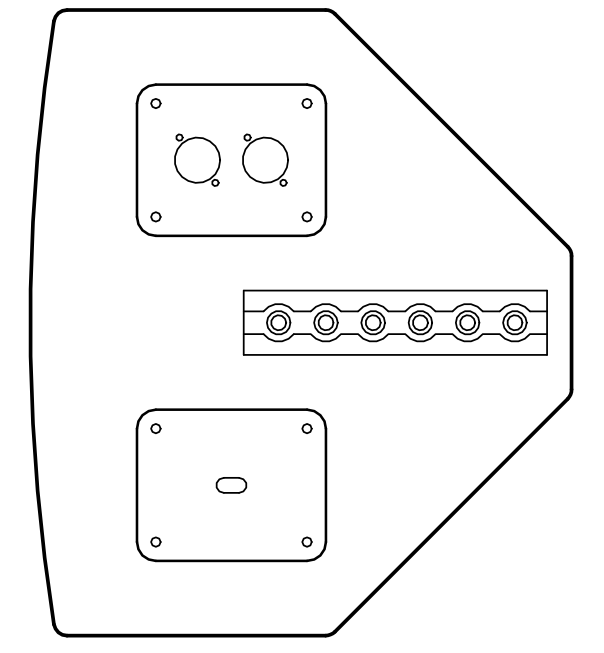
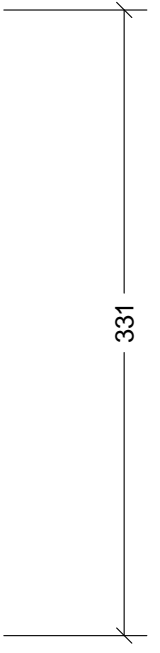
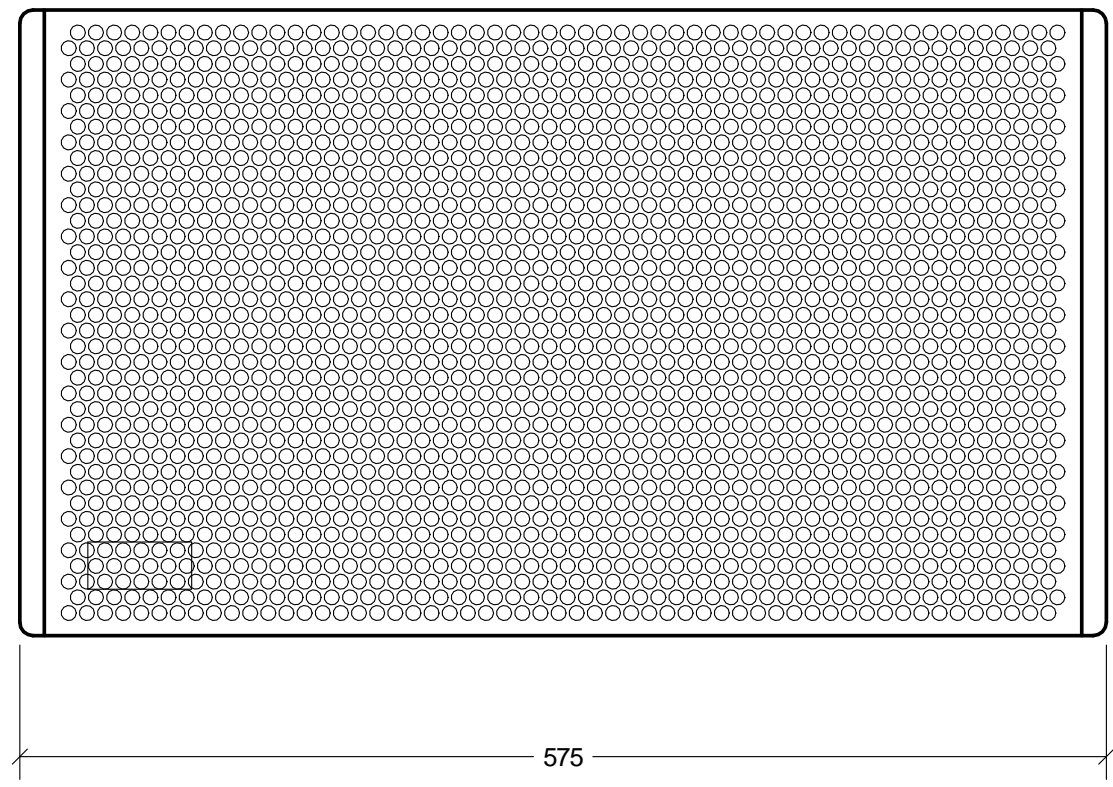
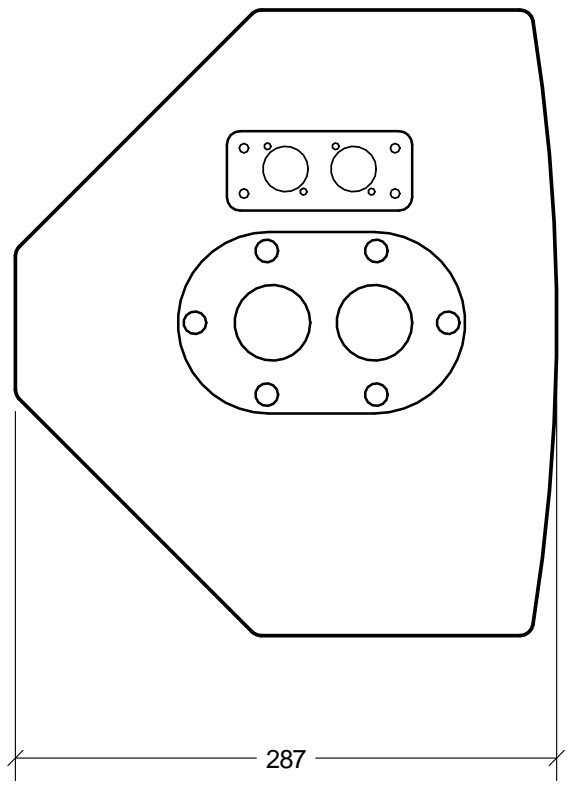
B B

C C

D D

E E

F F



A 25.06.2012 Original Issue	<b>acoustic technologies</b>				
	Drawn R. Faint	Checked	Approved	Revision A	Scale 1:3
	<b>SCX24 General Arrangement</b>			Sheet 1 of 1	
			<b>AT-A3-540</b>		

1 2 3 4 5 6 7 8