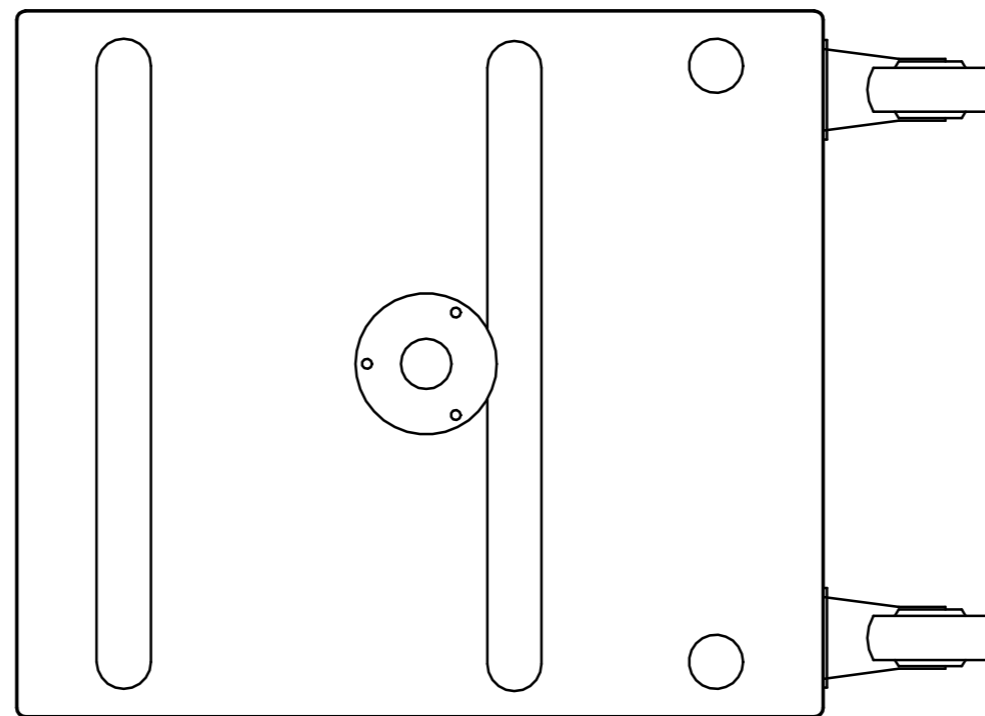
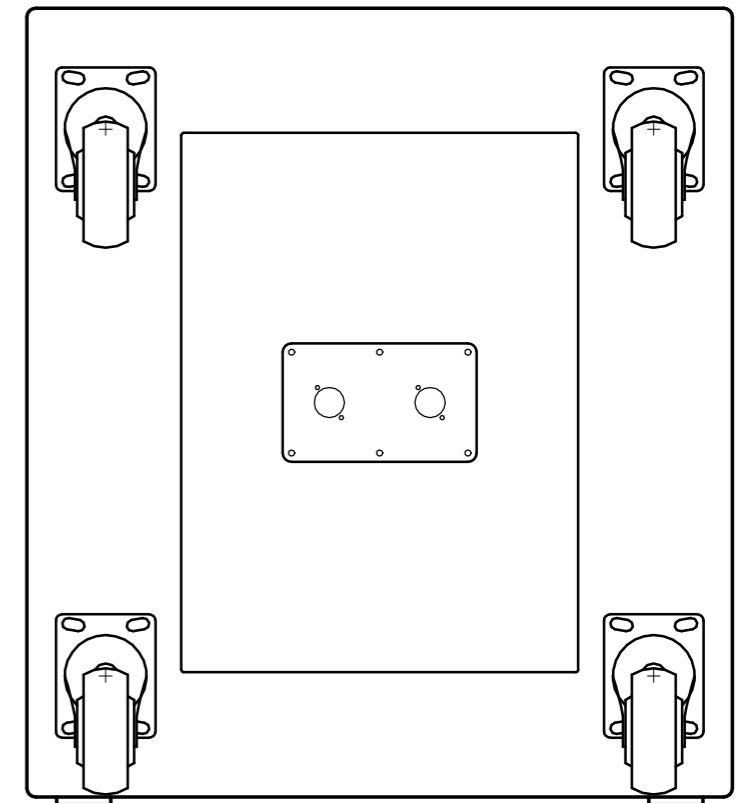
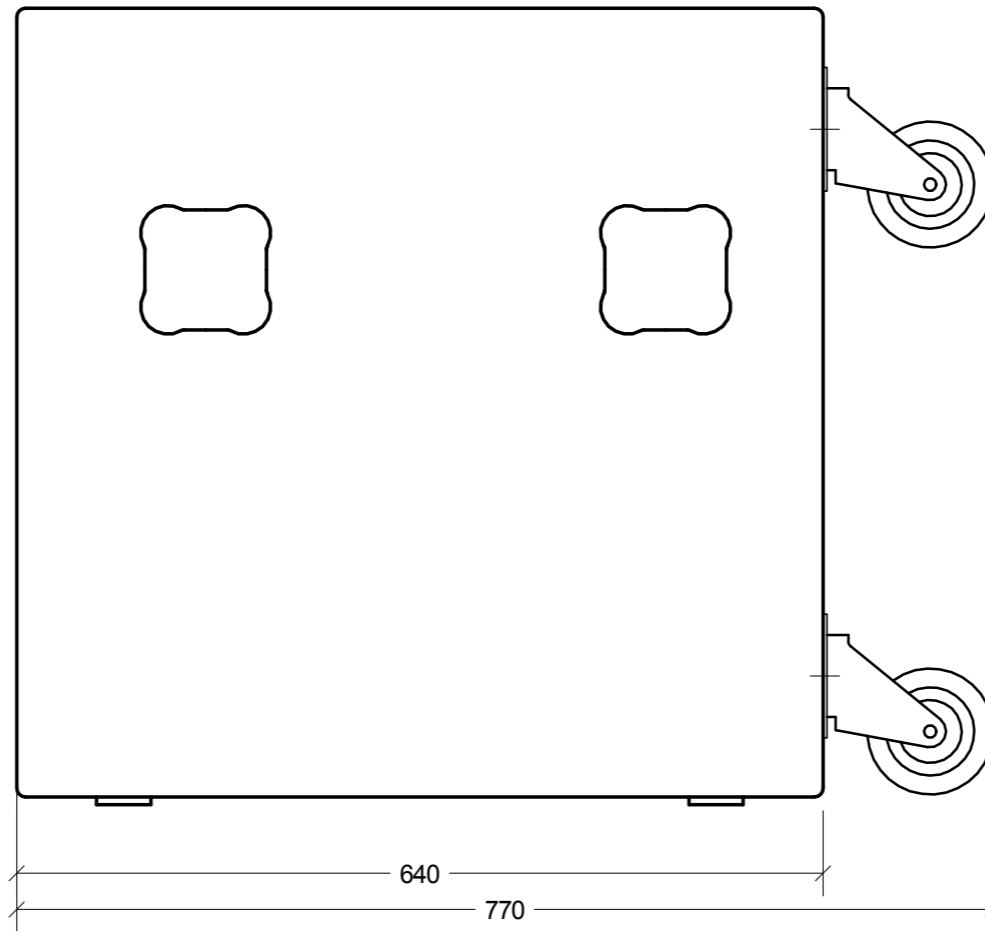
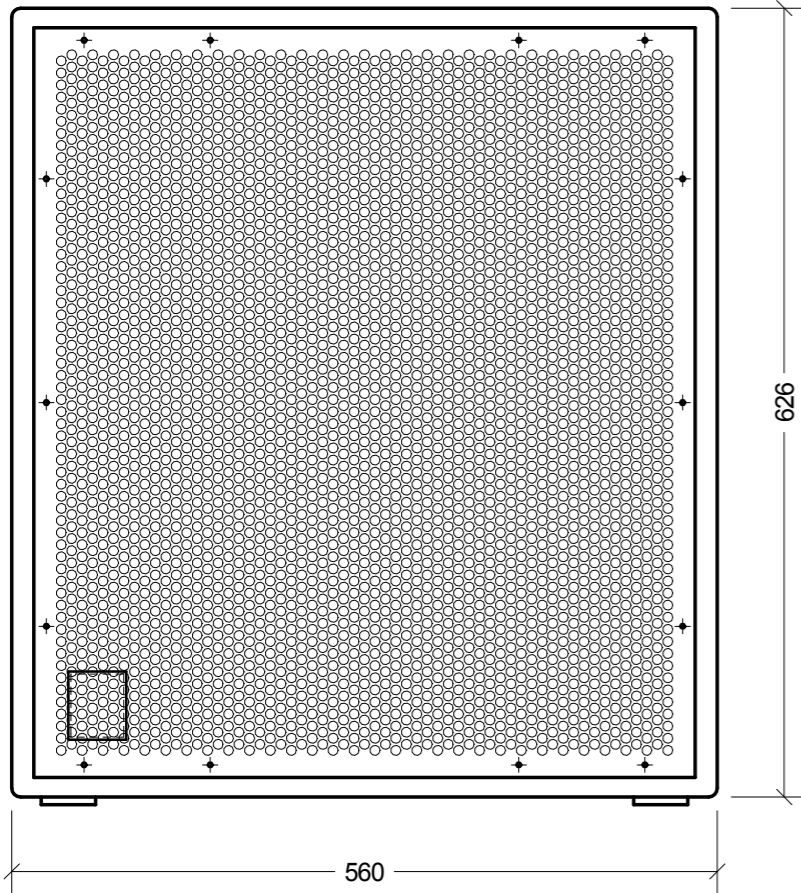


1 2 3 4 5 6 7 8

A
B
C
D
E
F

A
B
C
D
E
F



| | | | | | | | | |
|--|------------------------------|----------|---------|----------|------------------|--------------|-------|-----|
| A 25.03.20159 Original Issue | acoustic technologies | | | | | | | |
| | Drawn | R. Faint | Checked | Approved | Revision | A | Scale | 1:6 |
| | CLA LF3200 | | | | | Sheet 1 of 1 | | |
| GENERAL ARRANGEMENT | | | | | AT-A3-781 | | | |

1 2 3 4 5 6 7 8

